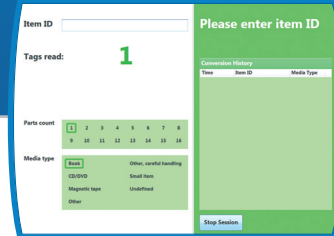




GoodStuff and proximity RFID readers



REPLACING BARCODE SCANNERS

The P.V. Supa GoodStuff staff station consists of an RFID-reader and related control and converting software. With these the handling of RFID-tagged material and transmitting item identification information to and from a library management system is easy and straight forward. With the included converting software it is easy to write item identification information to RFID tag memory.

There are two different RFID reader models to choose from, based on the preferences of the library. Both models are easy to connect to existing staff computers. Table top model has stylish design and enables reading multiple items at the same time (stack reading). Another reader model is placed under a staff station table, where it will be out of sight and doesn't take up any space from the table surface. The antenna of the reader is shielded and only reads items from straight

atop of the reader area. This effectively prevents false readings from other items placed on the desk, and because of the shielding, it will also prevent interference by any metal structures nearby.

With the GoodStuff software the RFID readers communicate seamlessly with an existing library management system. There is no need to do any adjustments to the library system; GoodStuff can transmit the correct information from the RFID tags to the system. Alarm will be activated or deactivated when items are checked in or out.

LibConvert 2 is a software that converts and writes item identification information to RFID tags. It allows fast to mass converting of existing barcoded items as well as handling new single items.

› Easy to use

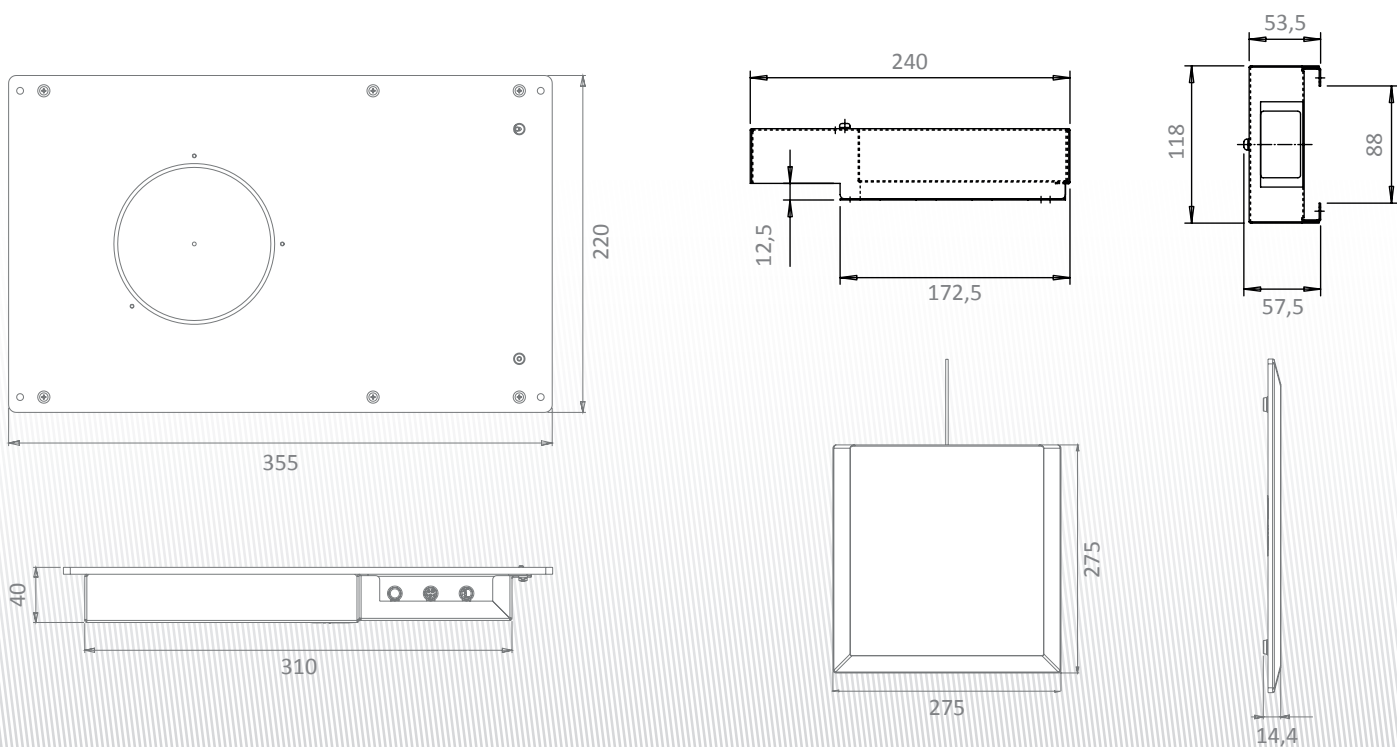
› Stylish design / invisible

› Alarm deactivation and activation

› Stack reading

› Accurate reading area

› Fast converting



GENERAL:

- › Normal functions: Connects the reader to library system, converting RFID-tags
- › Stack reading
- › Item Identification: RFID
- › Security: RFID (EAS/AFI)
- › RFID Standards: ISO 15693, ISO 18000-3.1
- › RFID Data Models: Danish, Finnish, Techlogic, TV2, 3M, TRC, ITG, ITG2, ISO 28560

COMPATIBILITY AND PROGRAMS:

- › Operating system: Windows XP or 7
- › Software: GoodStuff and LibConvert 2
- › Connections: USB and TCP/IP
- › Library systems: Voyager, Millenium, DDE Libra, Aurora, Integra, Book-it, Bibliofil, Micromarc, Libra.SE

TECHNICAL INFORMATION:

- › Installation: On top of or underneath the table; Shielded reader can be installed near metal
- › Input voltage: 100-240 V
- › Power Consumption: 30 W
- › Dimensions: Table top reader: 240 x 118 x 55 mm, antenna 275 x 275 x 15 mm; Shielded reader: 335 x 220 x 40 mm
- › Unit weight: Table top reader: 2 kg; Shielded reader: 1.5 kg
- › Certificates: 