



## PG45 RFID security gates



### EFFICIENT SOLUTION FOR THEFT PREVENTION

The PG45 RFID security gates offered by P.V. Supa are especially designed to blend into different library environments, whilst maintaining the open character of the space. Their sleek and transparent design are on many architect's wish list.

Alarm will be caused when someone tries to carry an article that contains anti-theft activated RFID-label. Items that has been already checked out, and where the alarm has been deactivated, won't cause an alarm on the gates. Because of the RFID-technology, other types of materials won't cause false alarms.

Security gate system consists of at least one entrance (two RFID- antennas, one RFID-reader). By using the multiplexer it is possible to reach even 1.30 m wide entrance. RFID- security gate systems can have 1, 2, 3 or 4 entrances. In this way libraries can protect wide entrances too.

The alarm is notified by sound and by red light, which is built into each antenna. Alarm sound type and loudness are adjustable to customer wishes of the library, for example the alarm sound is on for only a moment but the light will remain on for a longer time.

It is possible to have integrated patron counters with wireless patron statistic program to RFID gate systems. P.V. Supa GateController software can be connected to RFID-gate systems. The software allows displaying information of the cause of the alarm on staff computers, such as item names. RFID-gates are also possible to connect video surveillance and other external systems.

› Attractive plexi design

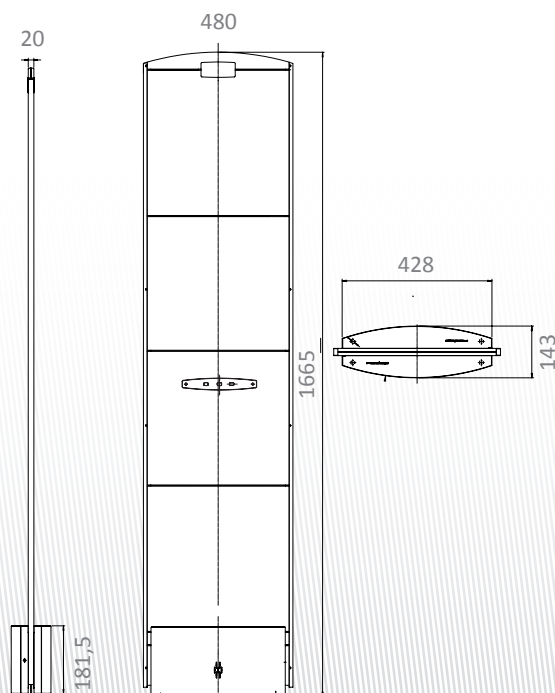
› Trustable protection

› Wide entrances

› Remote monitoring

› Excellent reporting tools

› Wide entrances are possible to cover with one system







## GENERAL:

- › Functions: Security, alarm by light and sound (type and volume adjustable)
- › Item Identification: RFID
- › Security: RFID (AFI/EAS), adjustable AFI-value
- › RFID Standards: ISO 15693, 18000-3.1
- › RFID Data Models: DDM, KATVE, TechLogic, TV2, 3M, TRC, ITG, ITG2, ISO 28560
- › Options: GateController software, Integrated patron counter

## COMPATIBILITY AND PROGRAMS:

- › Software: GateController, control and reporting program for security gate systems, patron count program
- › Connectivity: Protocol: TCP/IP, LMS: SIP1, SIP2 and NCIP (GateController)

## TECHNICAL INFORMATION:

- › 1,2,3 or 4 entrances
- › Maximum width for one entrance 1.30 / 1.05 m (with / without multiplexer)
- › Connections: Third party systems i.e. video surveillance systems
- › Input Voltage: 100-240 V
- › Unit Dimensions: (L x W x H) 480x143x1665 mm
- › Unit weight: 29 kg / 64 lbs
- › Certificates:    

## P.V. SUPA OY LTD

Muonamiehentie 14  
00390 Helsinki, FINLAND

Tel. +358 207 414 800  
Fax +358 207 414 801

sales@pv-supu.com  
www.pv-supu.com